



Data Sheet

THETIS 3D MR Distortion Phantom

Phantom for quality assurance of MRI images
in radiotherapy and diagnostics

Modular

Modular expansion stages allow optimal adaptation to different requirements thus ensuring efficient workflows.

MR-safe

THETIS 3D MR Distortion Phantom contains no ferromagnetic components and is therefore ideally suited for the MR environment.

Easy handling

Integrated leveling aids enable uncomplicated and fast alignment. The intuitive handling of the phantom makes 3D examination of the entire MRI space easy.

High quality

Developed according to our high medical device standards.

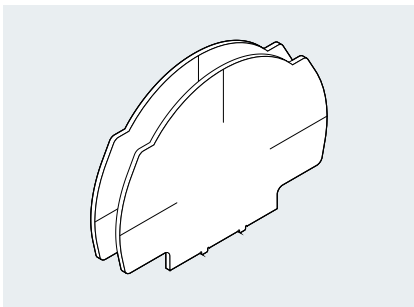
Technical data

THETIS 3D MR Distortion Phantom	Weight (total)	15.5 kg
Phantom plate	Dimensions (L × W × H)	10 × 666 × 486 mm
	Weight	3.6 kg
Leveling plate	Dimensions (L × W × H)	400 × 350 × 20 mm
	Weight	2.4 kg

Scope of delivery

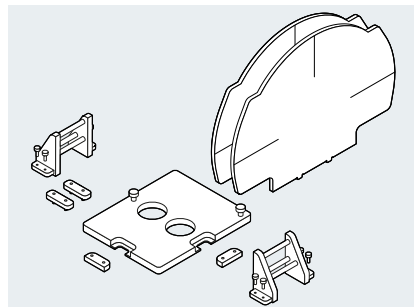
- 1 leveling plate, mounted
- 3 phantom plates, mounted
- 2 spacer small
- 2 spacer big
- 2 supports, mounted

Optional accessories



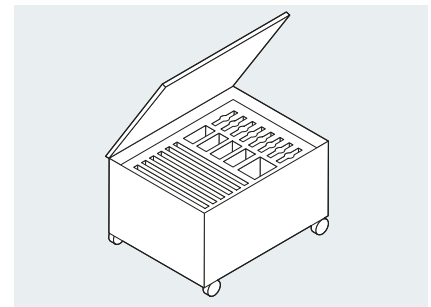
Extension Kit 1

- 2 measuring plates, mounted
- 2 spacer small
- 2 spacer big



Extension Kit 2

- 1 base plate, mounted
- 2 measuring plates, mounted
- 2 spacer small
- 2 spacer big
- 2 base plate connectors



Storage Case

LAP GmbH Laser Applikationen
Zeppelinstr. 23
21337 Lüneburg
Germany
P +49 4131 95 11-95
E info@lap-laser.com



made
in
Germany